



742 Series

The industrial grade, **fire-rated solution** for high abuse applications

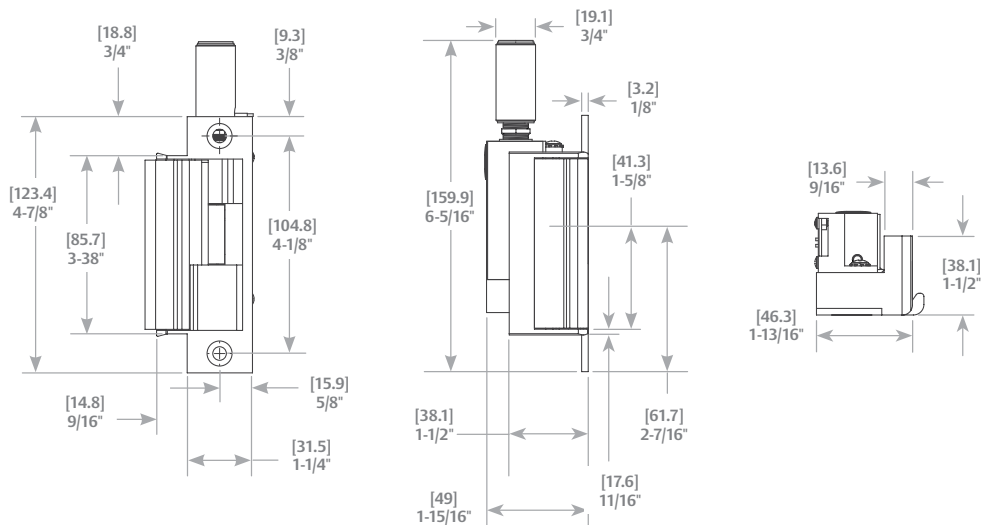
The 742-75 series is a 3 hour fire-rated, industrial grade electric strike designed for extreme heavy duty applications. The all stainless steel construction of this device makes it ideal for high abuse applications. The 742-75 series comes standard with a variety of brackets to accommodate all major mortise and cylindrical locks with up to a 3/4" throw latchbolts.* This is the one electric strike to choose when you are uncertain of which lockset you may encounter.

742-75

For use with 1/2"**, 5/8"** or 3/4" throw latchbolts in hollow metal frame applications

**NOTE: 742-75 is designed to work with a variety of mortise locks without deadbolts, including the Schlage L9000 and Yale 8800 without relocating the strike prep in the frame. Consult HES customer support regarding use with the Best 40 series.*

***NOTE: When using LBMLCM with a 1/2" or 5/8" keeper latchbolt, detection may be dependent on the door gap.*



Specifications

- UL 10C fire-rated, 3-hour single door (fail secure only)
- UL 10C fire-rated, 1-1/2 hour double door (fail secure only)
- CAN4-S104 (ULC-S104) fire door conformant
- UL 1034, burglary-resistant listed
- UL 294 (6th Edition) listed
- ANSI/BHMA A156.31, Grade 1
- NFPA-252 fire door conformant
- ASTM-E152 fire door conformant

Electrical (continuous duty)

- .29 Amps at 12 VDC
- .15 Amps at 24 VDC
- PoE friendly

Standard Features

- Tamper-resistant, heavy duty construction
- Constructed entirely of stainless steel for strength and corrosion resistance
- Static strength 1,500 lbs.
- Dynamic strength 70 ft.-lbs.
- Endurance rating 500,000 cycles
- Horizontally adjustable keeper to allow for door and frame misalignment
- Deadlatch tabs included
- 3/4" keeper depth
- Non-handed
- Fail secure
- Plug-in connector
- Full keeper shim
- Five-year limited warranty

Optional Features

- Fail safe
- LBMLCM** » Latchbolt & Locking Cam Monitor

Accessories

- 150** » Strike latch guard
- 152** » Universal mounting tabs
- 2001-1** » Wire-in bridge rectifier
- 2001M** » Plug-in bridge rectifier
- 2004M** » ElectroLynx® adapter
- 2005M3** » SMART Pac® III
- 2006M** » Plug-in buzzer

Finishes

- 630** » Satin stainless steel
- 605** » Bright brass
- 606** » Satin brass
- 612** » Satin bronze
- 613** » Bronze toned
- 629** » Bright stainless steel



CYLINDRICAL
LOCKSETS



MORTISE LOCKS
WITHOUT
DEADBOLTS



FIRE RATED



GRADE 1



UL 1034
BURGLARY
LISTED

